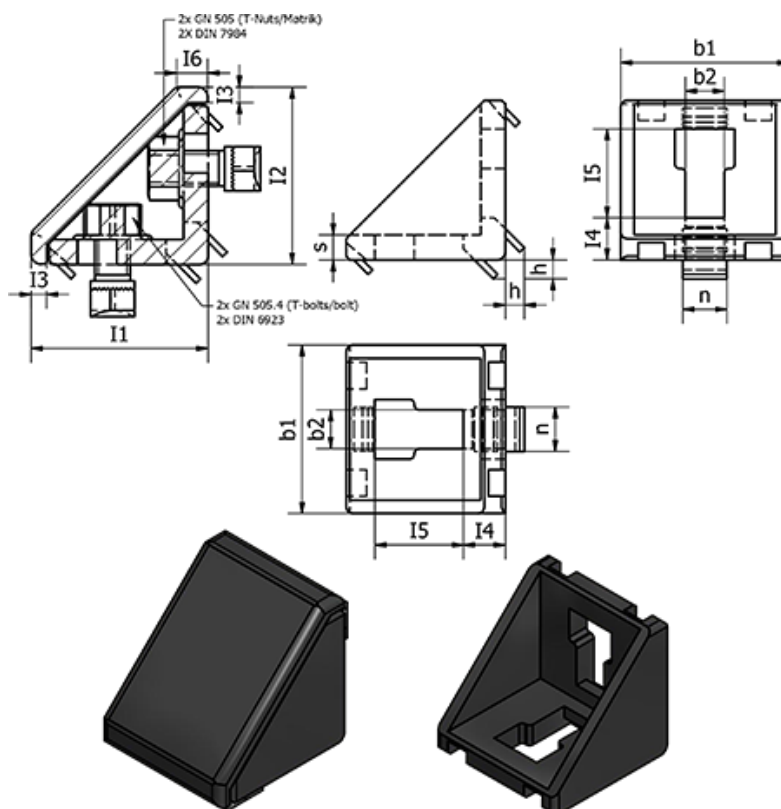


Article number: 2096045104545BMT

Description: Angle pieces for profile systems - GN 960-45-10-45-45-B-MT

Measures



b1 = 43	I6 = 11.5
b2 = 8.5	n = 10
h = 4.1	s = 9.7
I1 = 45	Weight (g) = 49
I2 = 45	
I3 = 4	
I4 = 15.7	
I5 = 18.7	